

Specifications

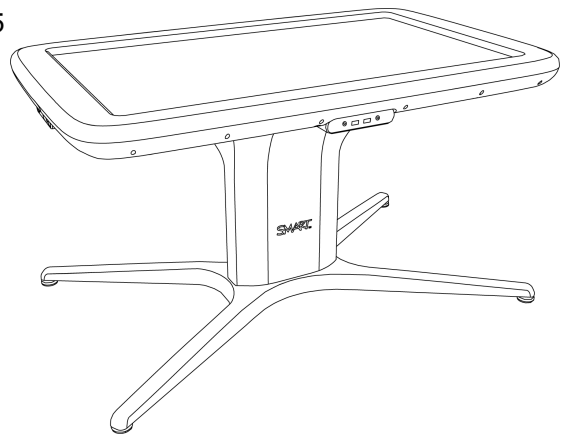
SMART Table®

collaborative learning centre

Model 442i

Physical specifications

Size	116.5cm L × 72.9cm W × 64.7cm H (45 7/8" × 28 11/16" × 25 1/2")
Active screen area	93cm L x 52.3cm W (36 9/16" × 20 9/16") 106.7cm (42") diagonal 16:9 aspect ratio
Weight	60kg (132 lb)
Pedestal box	
Dispatch size	59cm L x 34cm W x 57cm H (23 3/16" × 13 3/8" × 22 3/8")
Dispatch weight	17.8kg (39lb 3oz)
Tabletop box	
Dispatch size	143cm L x 34.4cm W x 94cm H (56 5/16" × 13 1/2" × 37")
Dispatch weight	55kg (121 lb)



All dimensions +/- 0.3cm (1/8"). All weights +/- 0.9kg (2lb.)

SPECIFICATIONS

SMART Table® collaborative learning centre

Standard features

Software	Integrated SMART Table® software, which you can customise using the SMART Table Toolkit included.
Display resolution	1080p full HD LED LCD
Display technology	<ul style="list-style-type: none">• 500 cd/m² luminance• 50,000 hour operating life time• 50% brightness at 20° from horizontal minimal viewing angle
Touch technology	Multitouch technology based on DViT® (Digital Vision Touch) technology, which uses cameras to simultaneously detect up to 40 touch points
Audio	<ul style="list-style-type: none">• Integrated 6-speaker stereo system• Four integrated 3.5mm headphone ports with individual volume controls
Power consumption	Up to 360 W
Warranty	Two-year limited equipment warranty. See warranty document for details.
Product features	<ul style="list-style-type: none">• Wi-Fi® wireless networking technology enables integration with SMART Sync™ classroom management software and access to the SMART Exchange™ website• Integrated support for SMART Document Camera™• Optional fully locking castors for portability• The ability to integrate SMART Notebook™ collaborative learning software lessons into SMART Table activity packs

SMART Table Toolkit software specifications

About the toolkit The SMART Table Toolkit is software that you can install on a Windows® or Mac computer then use to create or import activity packs and applications. You can then transfer these activity packs and applications to your table using a USB drive or SMART Sync software.

Windows computers

Minimum hardware	<ul style="list-style-type: none">• Intel®Pentium® III or faster processor• 512 MB RAM• USB 2.0 port• Video card and monitor with XGA (1024 × 768) resolution support
------------------	--

SPECIFICATIONS

SMART Table® collaborative learning centre

Supported operating system

- Windows XP SP3 x86
- Windows Vista SP2 x86
- Windows 7 SP1 x86
- Windows 7 SP1 x64
- Windows 8 x64

Mac computers

Minimum hardware

- Intel Core™ Duo 1.83 GHz or faster processor
- PowerPC® G4 1 GHz or faster processor
- 512 MB of RAM
- USB 2.0 port
- Video card and monitor with XGA (1024 × 768) resolution support

Supported operating system software

- Mac OS X 10.6
- Mac OS X 10.7
- Mac OS X 10.8

Other requirements

- Administrator privileges
- Internet access
- Up-to-date antivirus utility

Storage and operating specifications

Storage -20°C to 60°C (-4°F to 140°F)

Operation 10°C to 40°C (50°F to 104°F) with up to 80% humidity non-condensing

SMART order number

ST442i SMART Table 442i collaborative learning centre

Optional accessories

ST-CSTR Set of 4 lockable castors

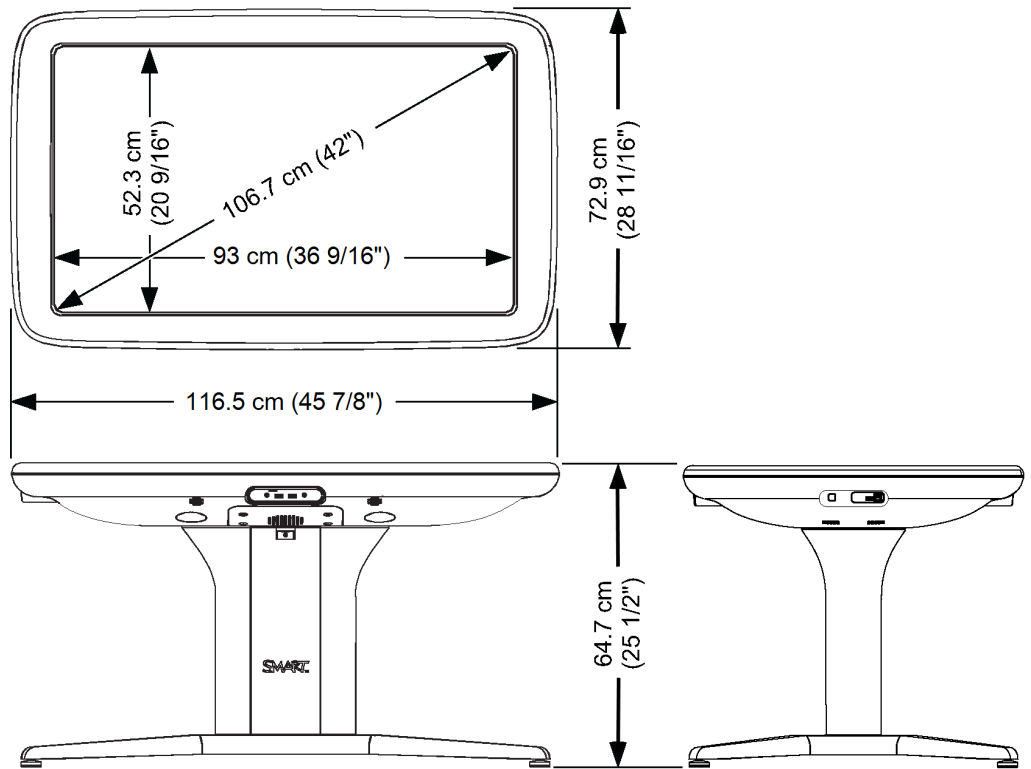
ST-DCC SMART Custom power cable that allows SMART Document Cameras to draw power directly from the SMART Table

SPECIFICATIONS

SMART Table® collaborative learning centre

Physical dimensions

Top view



Front view

Side view

smarttech.com/support

smarttech.com/contactsupport

© 2013 SMART Technologies ULC. All rights reserved. SMART Table, SMART Document Camera, SMART Sync, SMART Notebook, SMART Exchange, smarttech, the SMART logo and all SMART taglines are trade-marks or registered trade-marks of SMART Technologies ULC in the US and/or other countries. All third-party product and company names may be trade-marks of their respective owners. This product and/or use thereof covered by one or more of the following US patents. www.smarttech.com/patents. Contents are subject to change without notice. 03/2013.